

V6 & V8 Wet Joint Manifolds Conversion Kit To Dry Joint

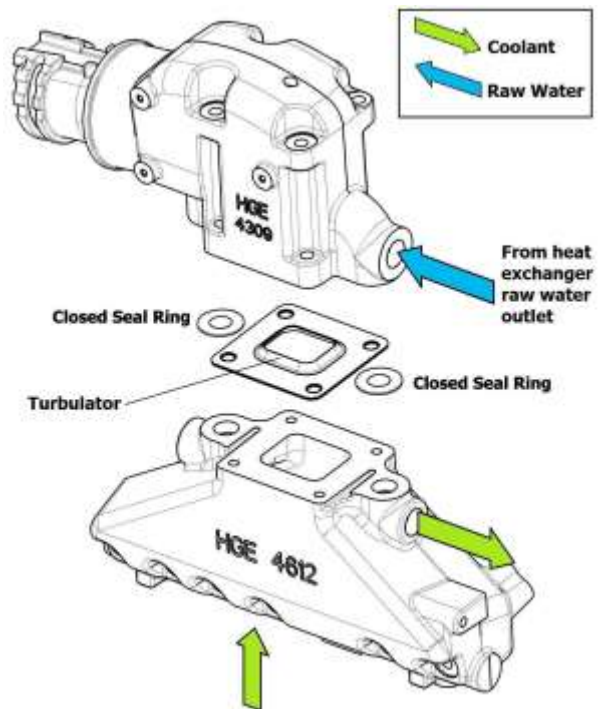
Benefits

- A. Eliminates gaskets seepage
- B. Contains most of condensation

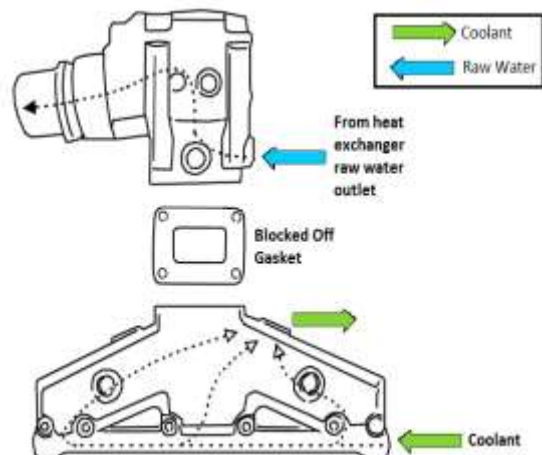
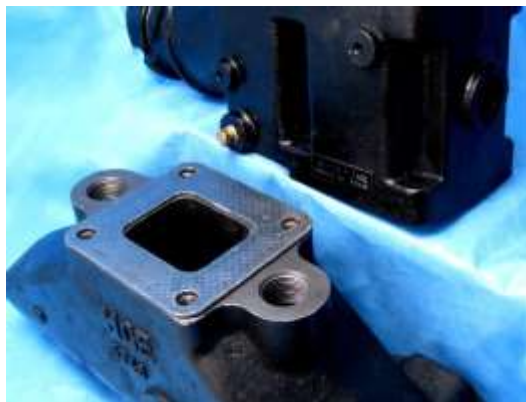
Freshwater Cooling Configuration

New System

- a. Make sure the Turbulator is on the UP side facing the riser.
- b. Use two closed seal rings cover the two water holes on the manifold.



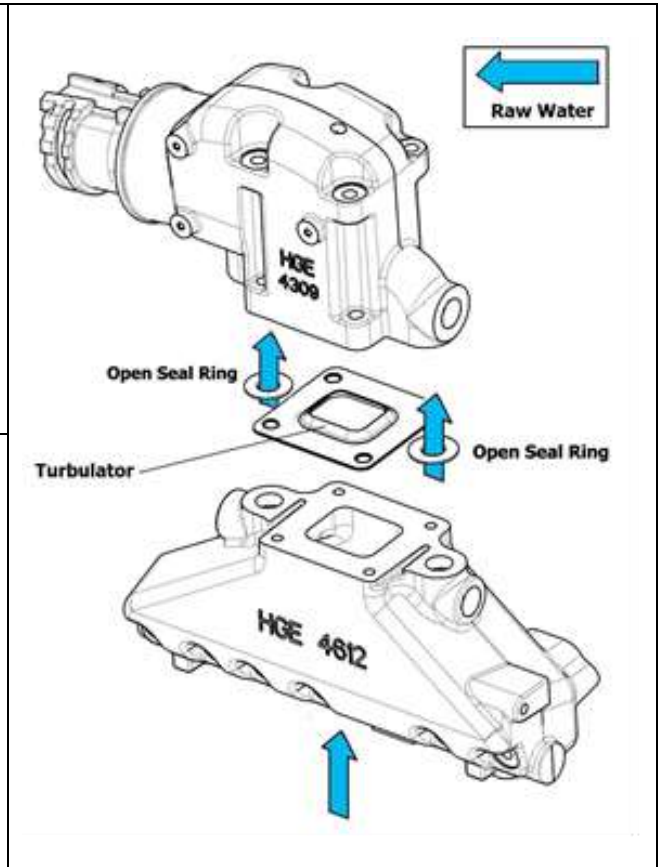
Old System



Raw Water Cooling Configuration

New System

- a. Make sure the Turbulator is on the UP side facing the riser.
- b. Use two open seal rings cover the two water holes on the manifold.



Old System

